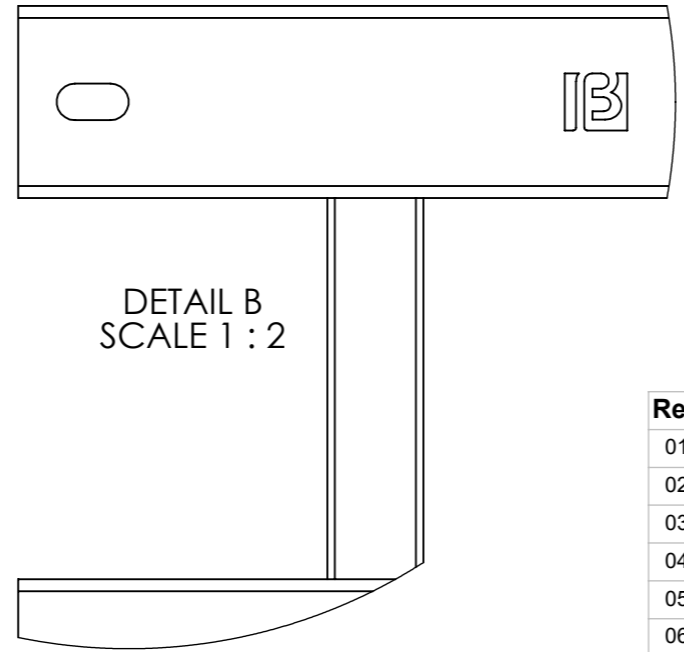


DETAIL A
SCALE 1 : 2



DETAIL B
SCALE 1 : 2

Rail: 2" x 2" x 13ga
 Picket: 1" TS x 16ga
 Number of Pickets: 19
 All dimensions are in inches
 Material: G90 Galv.

Rev	Date	Changed	By	Material	Spec
01				Mass	59.74 Kg
02					UPG-P-IL-306
03					Upgrade Industrial
04					
05					
06				Status	Designer Laurein Wylin
07				Status by	Date 10/02/2021

Free form- and placetolerances conform ISO 2768 m

DIN A3
Scale 1:20

UPG50A000092

THIS DRAWING AND THE RELATED INFORMATION IS AND REMAINS THE EXCLUSIVE PROPERTY OF BETA FENCE. WITHOUT THE PRIOR WRITTEN CONSENT OF BETA FENCE, THIS DRAWING AND THE RELATED INFORMATION MAY NEITHER BE COPIED OR REPRODUCED, NOR COMMUNICATED IN ANY WAY TO A THIRD PARTY, NOR USED FOR MANUFACTURING OUTSIDE BETA FENCE. EACH INFRINGEMENT OF THESE INTELLECTUAL PROPERTY RIGHTS OF BETA FENCE SHALL GIVE RISE TO LEGAL PROCEEDINGS.