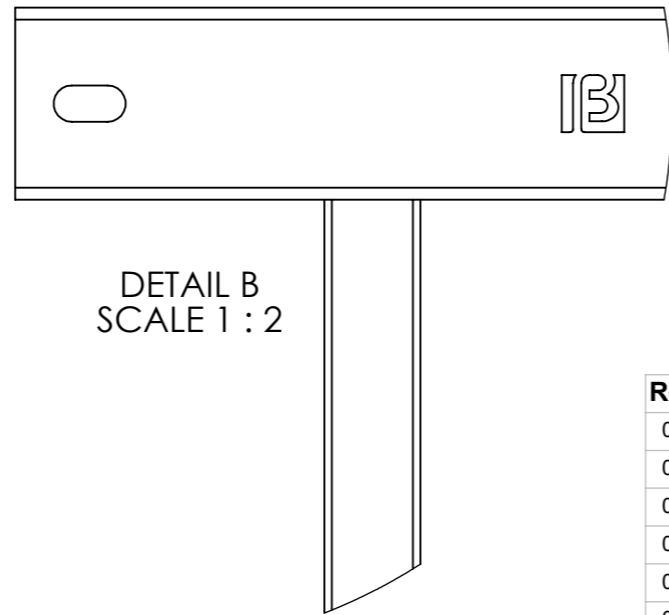
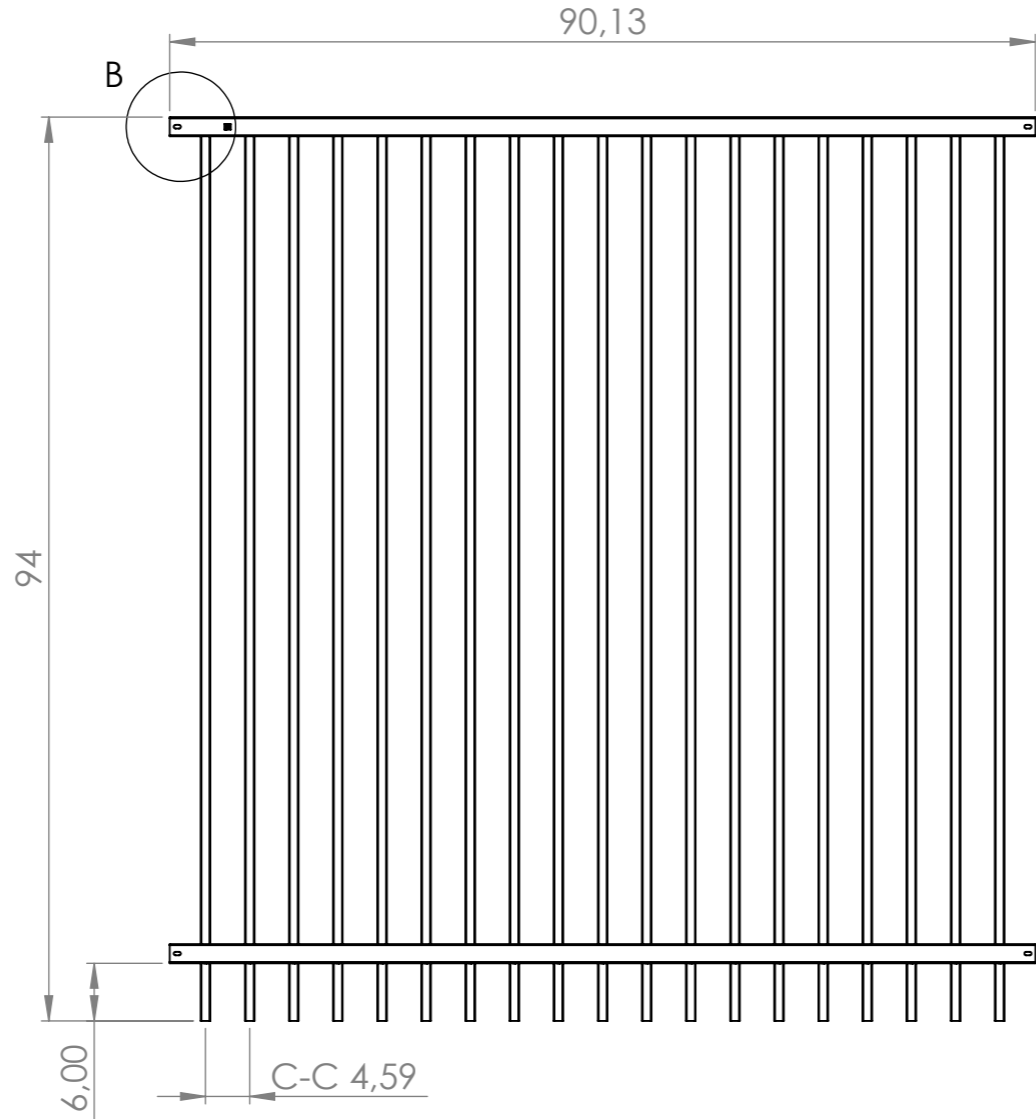


DETAIL A  
SCALE 1 : 2



DETAIL B  
SCALE 1 : 2

Rail: 2" x 2" x 13ga  
 Picket: 1" TS x 16ga  
 Number of Pickets: 19  
 All dimensions are in inches  
 Material: G90 Galv.

Rev	Date	Changed	By	Material	Spec
01				Mass	67.47 Kg
02					<b>UPG-P-IL-208</b> Upgrade Industrial
03					
04					
05					
06				Status	Designer
07				Status by	Date
				Free form- and placetolerances conform ISO 2768 m	DIN A3 Scale 1:20
					<b>UPG50A000084</b>

THIS DRAWING AND THE RELATED INFORMATION IS AND REMAINS THE EXCLUSIVE PROPERTY OF BETAFENCE WITHOUT THE PRIOR WRITTEN CONSENT OF BETAFENCE. THIS DRAWING AND THE RELATED INFORMATION MAY NEITHER BE COPIED OR REPRODUCED, NOR COMMUNICATED IN ANY WAY TO A THIRD PARTY, NOR USED FOR MANUFACTURING OUTSIDE BETAFENCE EACH INFRINGEMENT OF THESE INTELLECTUAL PROPERTY RIGHTS OF BETAFENCE SHALL GIVE RISE TO LEGAL PROCEEDINGS.