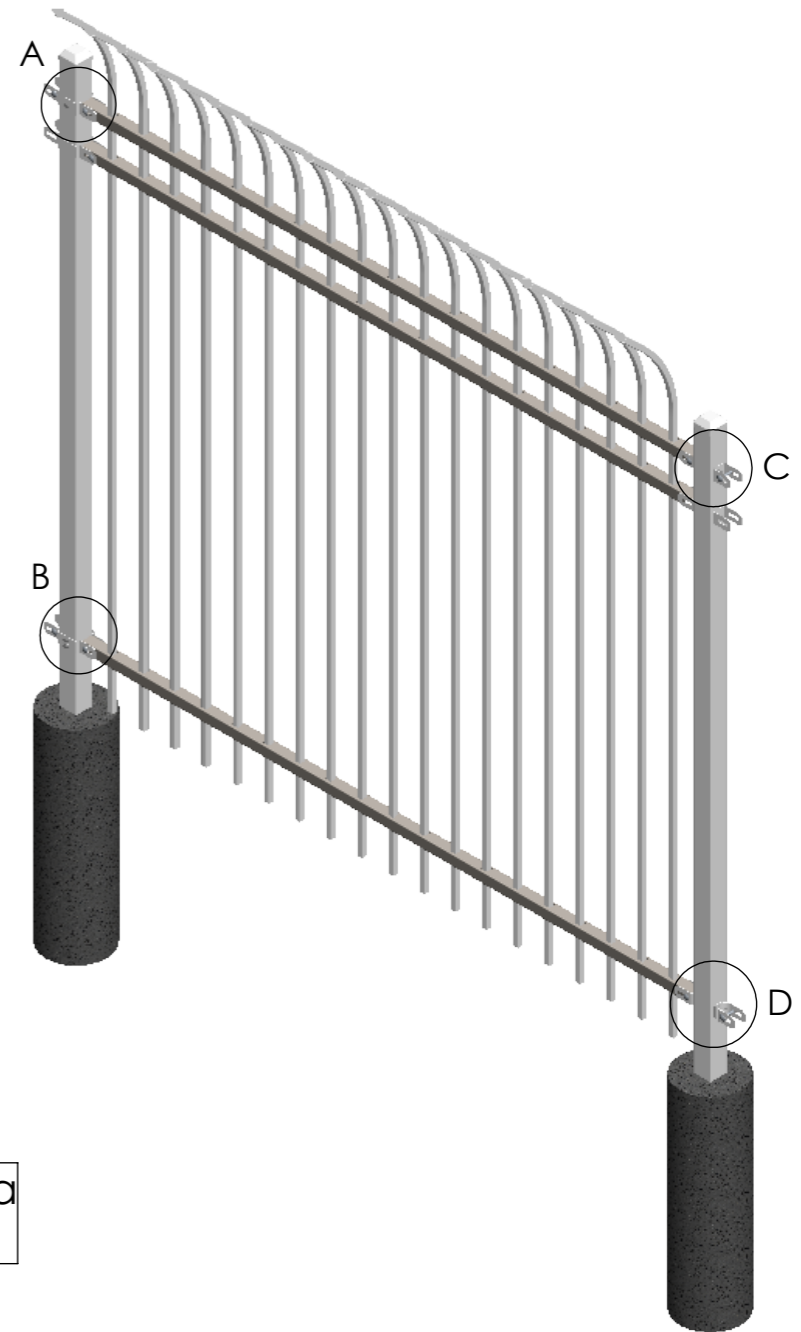
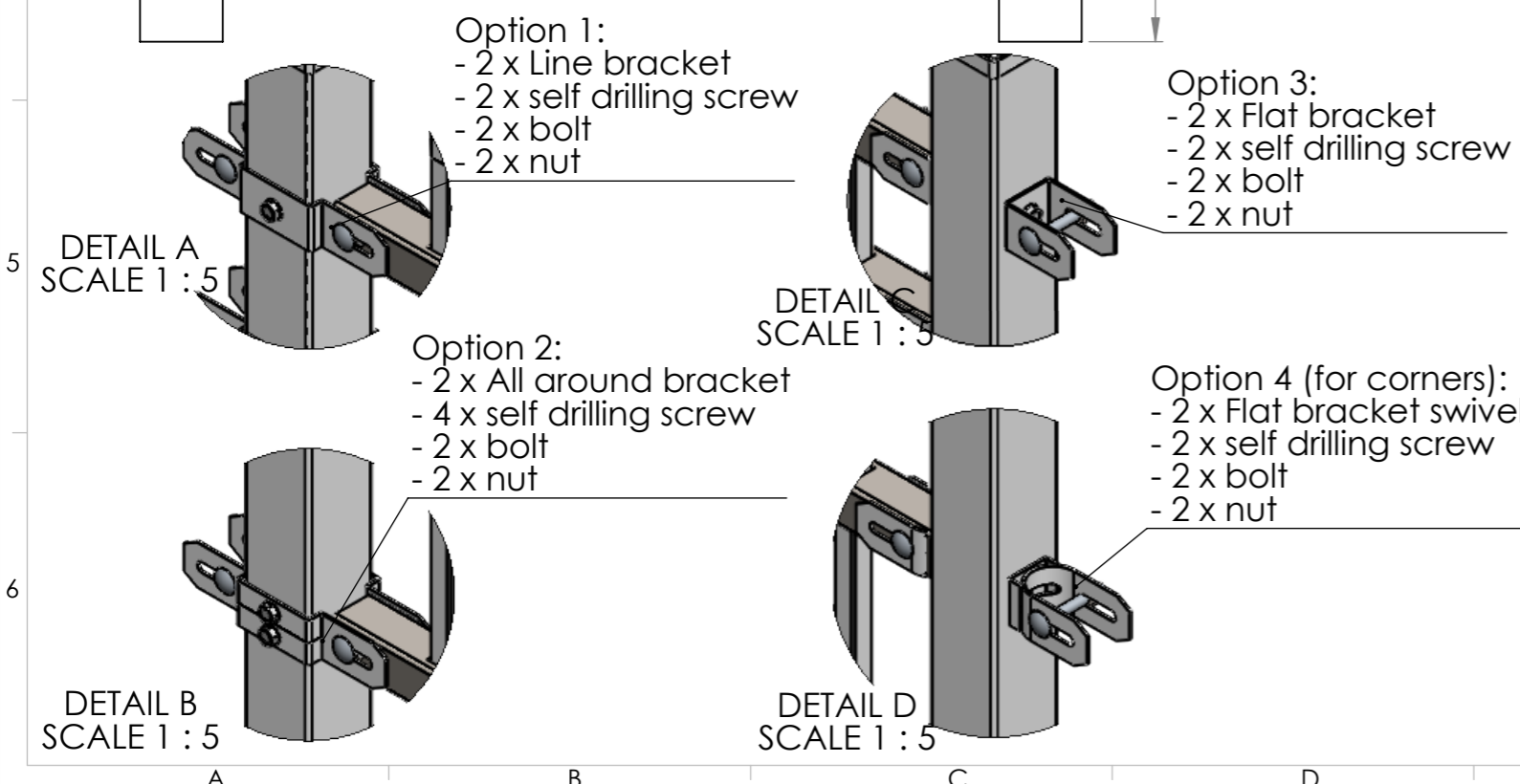


Center-center dim. X:

Post section:	Post Length:	
	9ft	11ft
2,5" x 12GA	93 1/2"	93 1/2"
2,5" x 14GA	93 1/2"	93 1/2"
3" x 12GA	94"	94"



Rail: 1" 1/2 x 1" 1/2 x 15ga  
Picket: 3/4 TS x 16ga



Rev	Date	Changed	By	Material	Spec
01				Mass	77.89 Kg
02				<b>UPGRADE COMMERCIAL DEFENDER</b>	
03					
04					
05					
06				Status	Designer Laurein Wylin
07				Status by	Date 19/03/2021

90" X 8FT 3 RAIL

**UPGooA000006**

DIN A3  
Scale 1:20

THIS DRAWING AND THE RELATED INFORMATION IS AND REMAINS THE EXCLUSIVE PROPERTY OF BETA FENCE. THIS DRAWING AND THE RELATED INFORMATION MAY NEITHER BE COPIED OR REPRODUCED, NOR COMMUNICATED IN ANY WAY TO A THIRD PARTY, NOR USED FOR MANUFACTURING OUTSIDE BETA FENCE. EACH INFRINGEMENT OF THESE INTELLECTUAL PROPERTY RIGHTS OF BETA FENCE SHALL GIVE RISE TO LEGAL PROCEEDINGS.