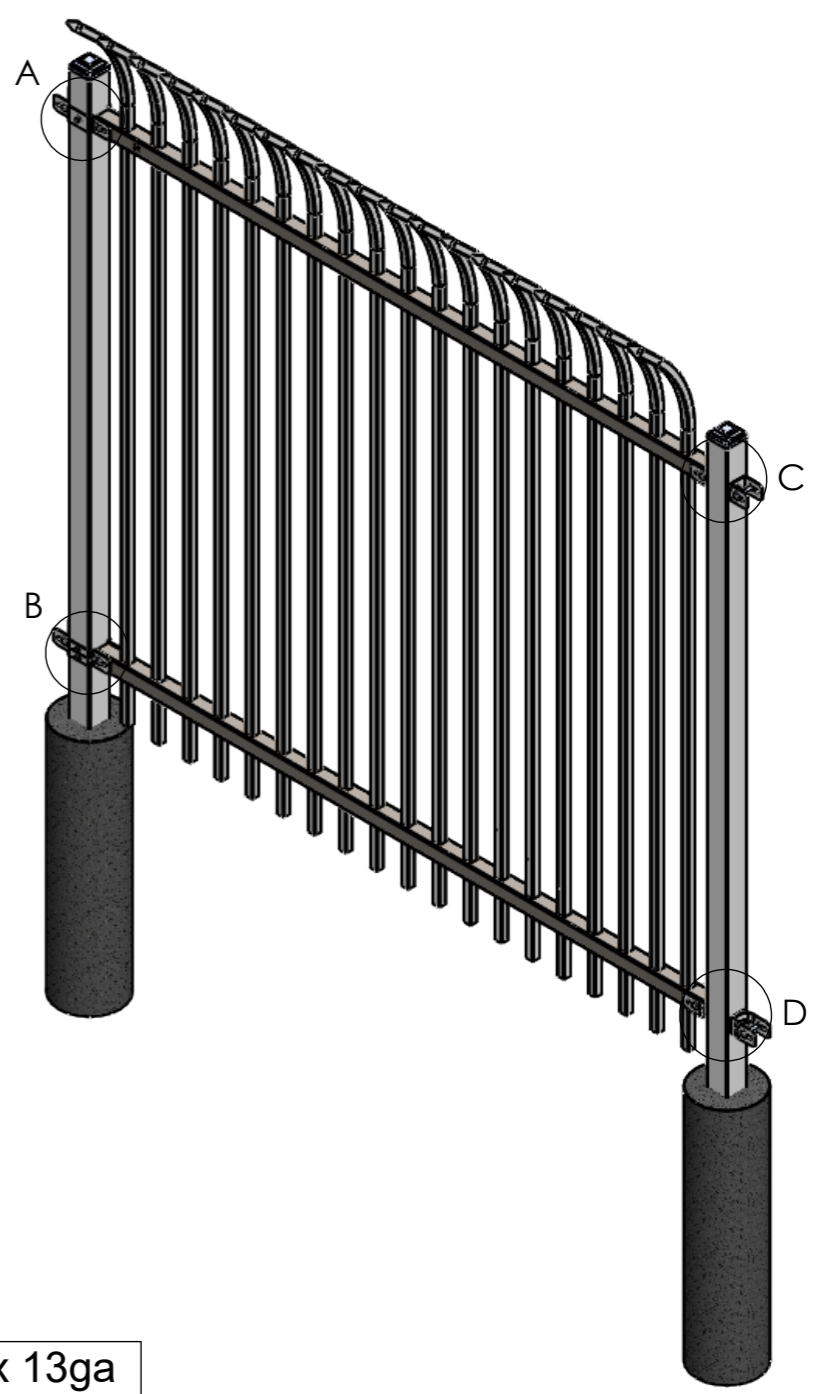
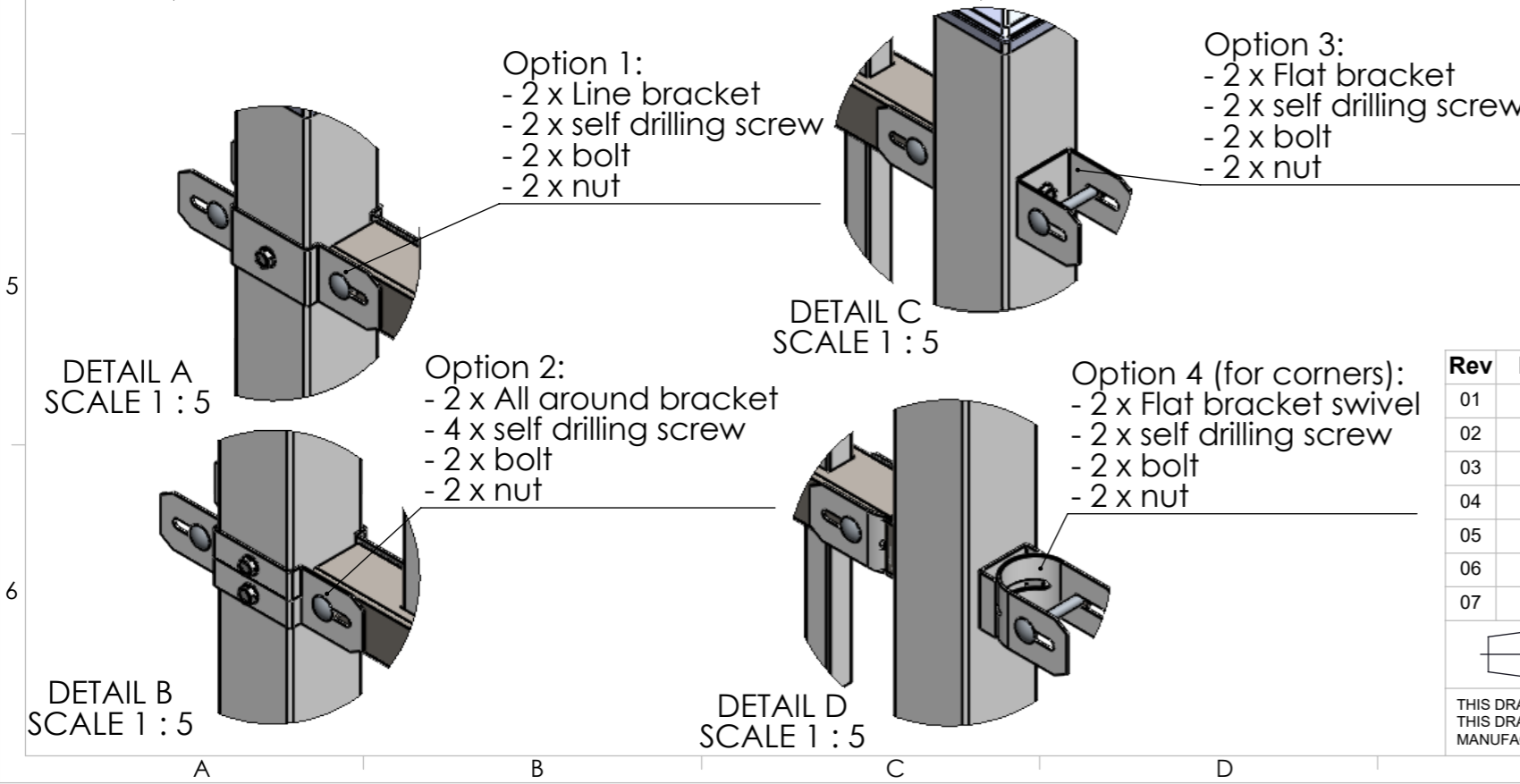


Center-center dim. X:

Post section:	Post Length:	
	9ft	11ft
2,5" x 12GA	93 1/2"	93 1/2"
2,5" x 14GA	93 1/2"	93 1/2"
3" x 12GA	94"	94"



Rail: 2" x 2" x 13ga
Picket: 1" TS x 16ga



Rev	Date	Changed	By	Material	Mass	Spec
01					101.06 Kg	
02						
03						
04						
05						
06				Status		Designer
07				Status by		Date

UPGRADE INDUSTRIAL DEFENDER

90" X 8FT 2 RAIL

B
BETA FENCE

Laurein Wylin
23/03/2021

UPGooA000012

Free form- and placetolerances conform ISO 2768 m

DIN A3
Scale 1:20

THIS DRAWING AND THE RELATED INFORMATION IS AND REMAINS THE EXCLUSIVE PROPERTY OF BETA FENCE WITHOUT THE PRIOR WRITTEN CONSENT OF BETA FENCE. THIS DRAWING AND THE RELATED INFORMATION MAY NEITHER BE COPIED OR REPRODUCED, NOR COMMUNICATED IN ANY WAY TO A THIRD PARTY, NOR USED FOR MANUFACTURING OUTSIDE BETA FENCE EACH INFRINGEMENT OF THESE INTELLECTUAL PROPERTY RIGHTS OF BETA FENCE SHALL GIVE RISE TO LEGAL PROCEEDINGS.