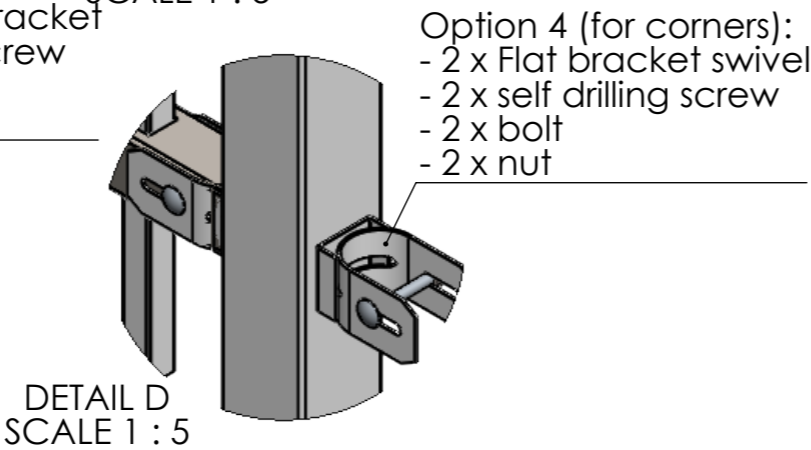
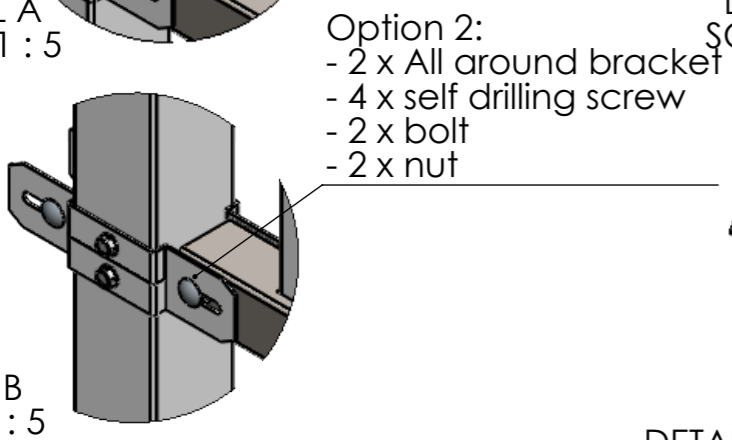
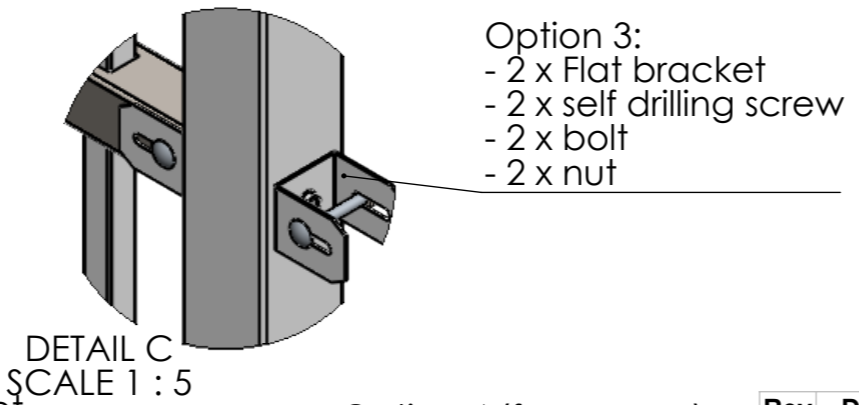
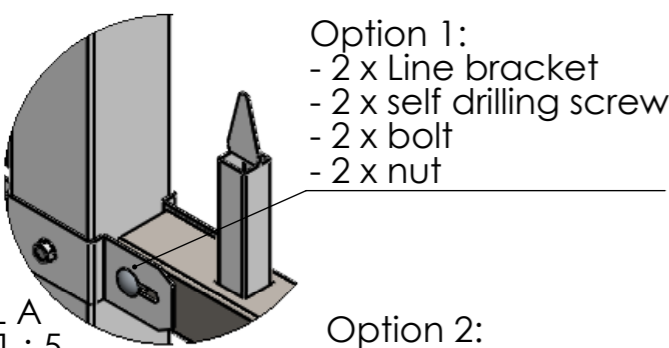
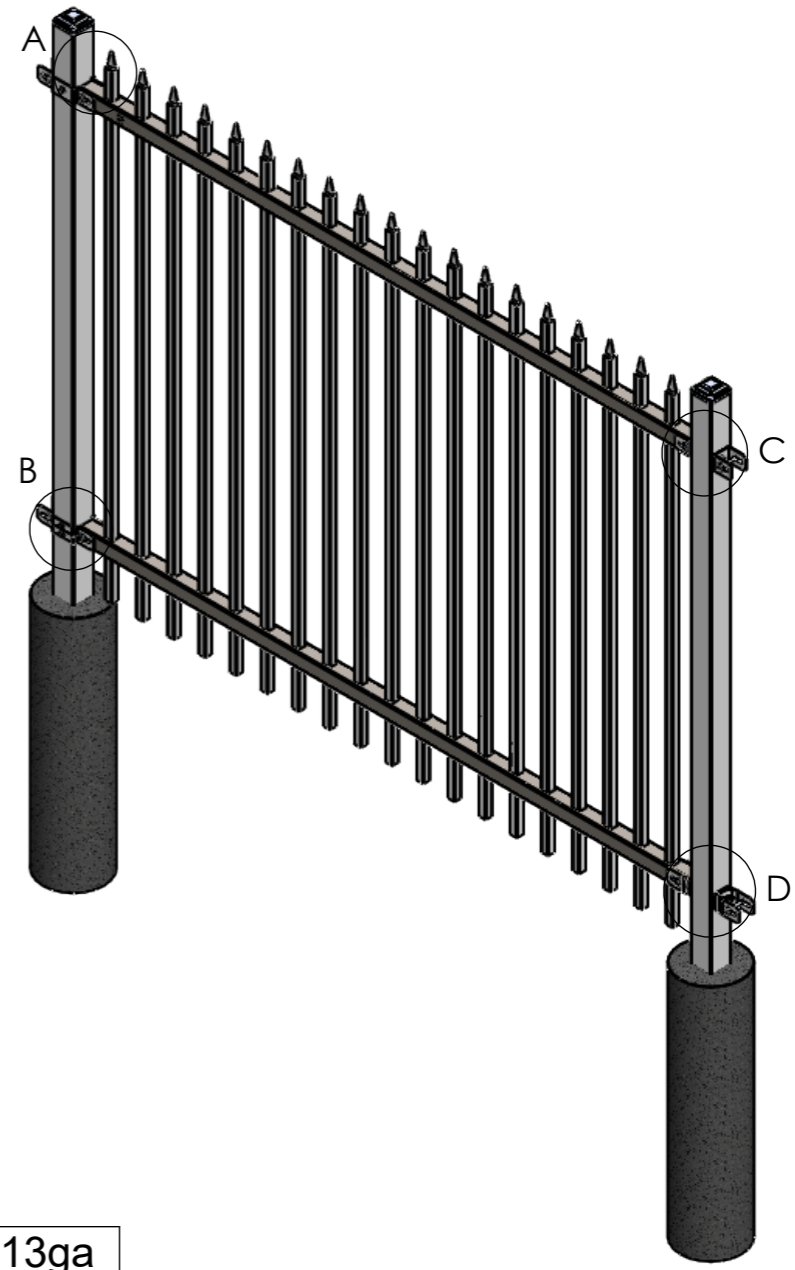


Center-center dim. X:

Post section:	Post Length:	
	9ft	11ft
2,5" x 12GA	93 1/2"	93 1/2"
2,5" x 14GA	93 1/2"	93 1/2"
3" x 12GA	94"	94"



Rail: 2" x 2" x 13ga
 Picket: 1" TS x 16ga

Rev	Date	Changed	By	Material	Mass	Spec
01					86.51 Kg	
02				UPGRADE INDUSTRIAL PINNACLE		
03				90" X 6FT 2 RAIL		
04						
05						
06				Status		Designer Laurein Wylin
07				Status by		Date 23/03/2021

UPGooA000008

DIN A3
Scale 1:20

THIS DRAWING AND THE RELATED INFORMATION IS AND REMAINS THE EXCLUSIVE PROPERTY OF BETAFENCE WITHOUT THE PRIOR WRITTEN CONSENT OF BETAFENCE. THIS DRAWING AND THE RELATED INFORMATION MAY NEITHER BE COPIED OR REPRODUCED, NOR COMMUNICATED IN ANY WAY TO A THIRD PARTY, NOR USED FOR MANUFACTURING OUTSIDE BETAFENCE EACH INFRINGEMENT OF THESE INTELLECTUAL PROPERTY RIGHTS OF BETAFENCE SHALL GIVE RISE TO LEGAL PROCEEDINGS.