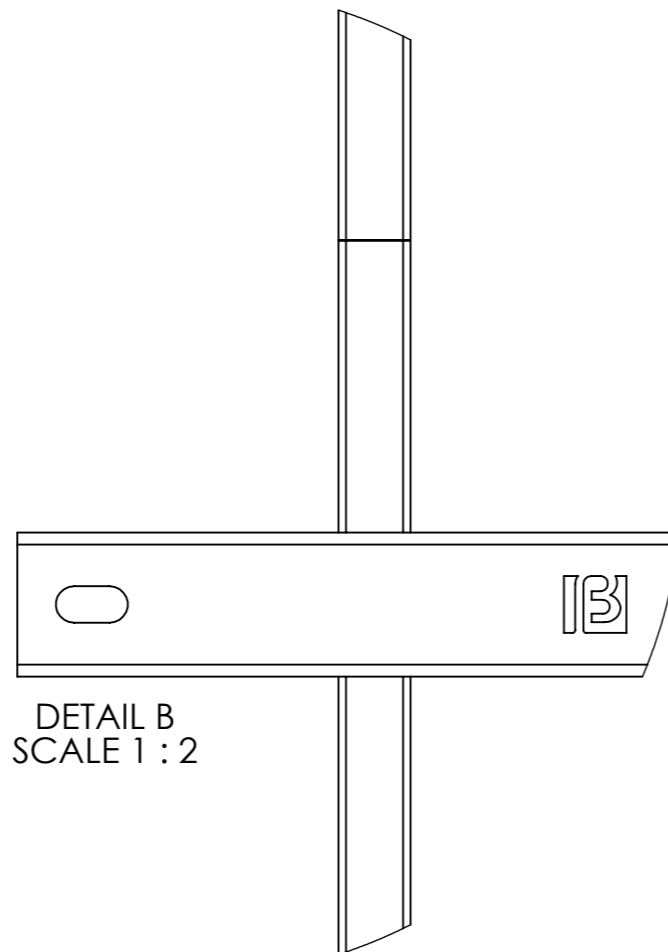


DETAIL A
SCALE 1 : 2



DETAIL B
SCALE 1 : 2

Rail: 1" 1/2 x 1" 1/2 x 15ga
 Picket: 3/4 TS x 16ga
 Number of Pickets: 19
 All dimensions are in inches
 Material: G60 Galv.

Rev	Date	Changed	By	Material	Spec
01				Mass	47.86 Kg
02				UPG-P-CD-308	
03					
04					
05				Upgrade Commercial	
06				Status	Designer
07				Status by	Date
				DIN A3	UPG50A000072
				Scale 1:20	



Laurein Wylin
08/02/2021

Free form- and
placetolerances conform
ISO 2768 m

THIS DRAWING AND THE RELATED INFORMATION IS AND REMAINS THE EXCLUSIVE PROPERTY OF BETAFENCE WITHOUT THE PRIOR WRITTEN CONSENT OF BETAFENCE. THIS DRAWING AND THE RELATED INFORMATION MAY NEITHER BE COPIED OR REPRODUCED, NOR COMMUNICATED IN ANY WAY TO A THIRD PARTY, NOR USED FOR MANUFACTURING OUTSIDE BETAFENCE EACH INFRINGEMENT OF THESE INTELLECTUAL PROPERTY RIGHTS OF BETAFENCE SHALL GIVE RISE TO LEGAL PROCEEDINGS.