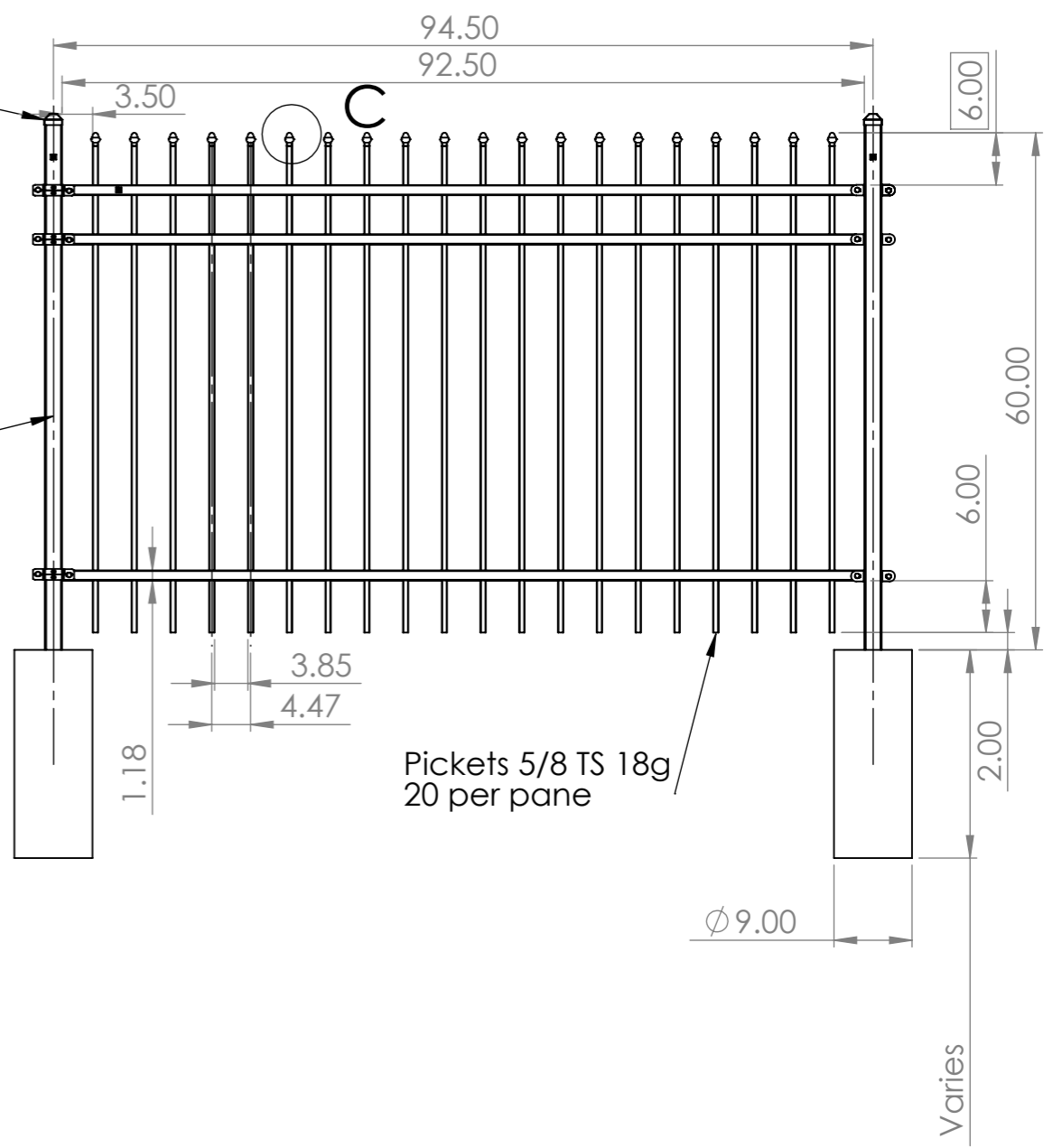


DETAIL C  
SCALE 1 : 5

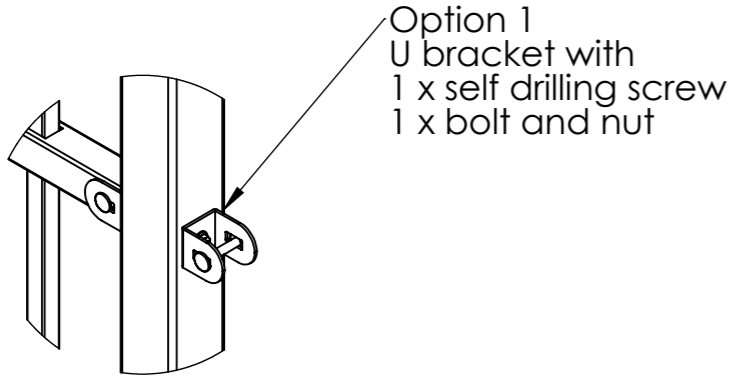
Press on cap



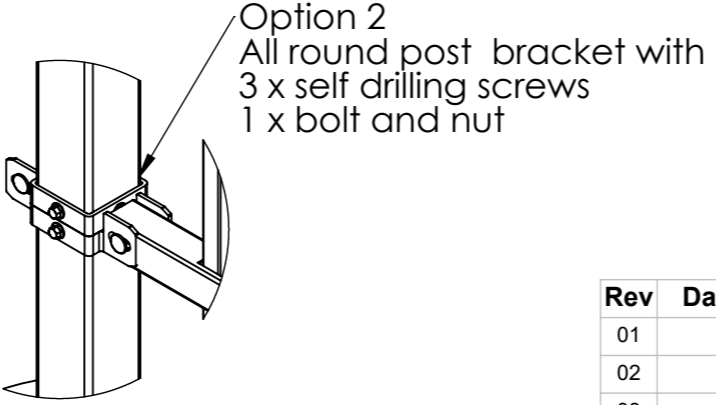
2" TS post 14g



Pickets 5/8 TS 18g  
20 per pane



Option 1  
U bracket with  
1 x self drilling screw  
1 x bolt and nut



Option 2  
All round post bracket with  
3 x self drilling screws  
1 x bolt and nut

DETAIL A  
SCALE 1 : 5

DETAIL B  
SCALE 1 : 5

Rev	Date	Changed	By	Material	Spec
01				Mass	153329.17 Kg
02					<b>TRV-P-RP-305</b> GA Installation Drawing
03					
04					
05					
06				Status	Under Editing
07				Status by	Designer
					Date
					Stefanos Synodinos
					2020-08-10



Free form- and placetolerances conform ISO 2768 m

DIN A3  
Scale 1:20

**A000000246**

THIS DRAWING AND THE RELATED INFORMATION IS AND REMAINS THE EXCLUSIVE PROPERTY OF BETAFENCE WITHOUT THE PRIOR WRITTEN CONSENT OF BETAFENCE. THIS DRAWING AND THE RELATED INFORMATION MAY NEITHER BE COPIED OR REPRODUCED, NOR COMMUNICATED IN ANY WAY TO A THIRD PARTY, NOR USED FOR MANUFACTURING OUTSIDE BETAFENCE EACH INFRINGEMENT OF THESE INTELLECTUAL PROPERTY RIGHTS OF BETAFENCE SHALL GIVE RISE TO LEGAL PROCEEDINGS.